

VNT2200A1000

INLINE SUPPLY VENTILATOR

SUBMITTAL AND SPECIFICATION SHEET

Job Name	
Engineer	
Mechanical Contractor	
Contractor's P.O. No.	
Representative	
Notes	

Model(s)			
VNT2200A1000	Qty.		Notes
Approval			
Service			
Tag No.			



INTRODUCTION

The new UL certified Honeywell Inline Ventilation Supply Fan is a mechanical ventilation solution intended to provide acceptable IAQ in residential buildings and designed to meet all applicable I-Codes and ASHRAE 62.2-2016.

APPLICATION

The Inline Supply Ventilator will be duct mounted to bring outside air in to increase the number of air exchanges in a dwelling for a healthier home/light commercial environment. This device will interface with a ventilation control and power an electronic damper. The control board includes terminals for factory wired line voltage and low voltage field wiring. The device may be ducted into the return side of the furnace, and is capable of being installed in multi-orientations. The device is designed to provide MERV8 filtered air at 200 CFM. The device is intended for residential and commercial use. The device can be mounted between floor joists in a basement, on a vertical surface, or other locations such as attics, crawlspaces, and mechanical rooms. An externally mounted power board includes low voltage field wiring for a ventilation control and an integral electronic damper which is normally closed.

VNT2200 SPECIFICATIONS	
Part Number:	VNT2200A1000/U
Cabinet:	23 gauge galvanized steel
Controls:	External
Power Damper:	8 in.
Collars	Intake: 8 in. Exhaust: 8 in.
Filter:	Included
Supply Voltage:	120 VAC (+10% / -15%), 60 Hz
Amps	Typical: 0.65 A Max: 0.70 A
Operating Range	
Temperature:	-22 to 160 °F (-30 to 71 °C)
Humidity:	0-95% non-condensing
Dimensions: (see Fig. 1)	Width: 14.2 in. (361 mm) Height: 15 in. (381 mm) Length: 29 in. (737 mm) Weight: 28 lbs (12.7 Kg)
Shipping Specs	Width: 15 in. (381 mm) Height: 16 in. (406 mm) Length: 30 in. (762 mm) Weight: 30 lbs (13.6 Kg)
Airflow Measurements:	With MERV 8 Filter: @0.2 inWG: 200 CFM & 3.2 CFM/Watt Without MERV 8 Filter: @0.2 inWG: 220 CFM & 3.3 CFM/Watt
Optional Parts	Aluminum Filter (Pre Filter): 32322037-001/U Media Filter (MERV 8): 32320887-001/U
Approvals	Underwriters Laboratories, Inc.: Listed to UL 900, Class 2. Air Filtering Appliance E187216. HVI (Home Ventilation Institute 2100 Certified)
Standards and Certifications	2015 I-Codes International Residential Code (IRC) International Energy Conservation Code (IECC) International Mechanical Code (IMC) ASHRAE Standard 62.2-2016 EPA Indoor airPLUS, Version 1 California Energy Commission Title 24

For more information call 1-800-468-1502 or visit our website at customer.honeywell.com.



33-00258-01

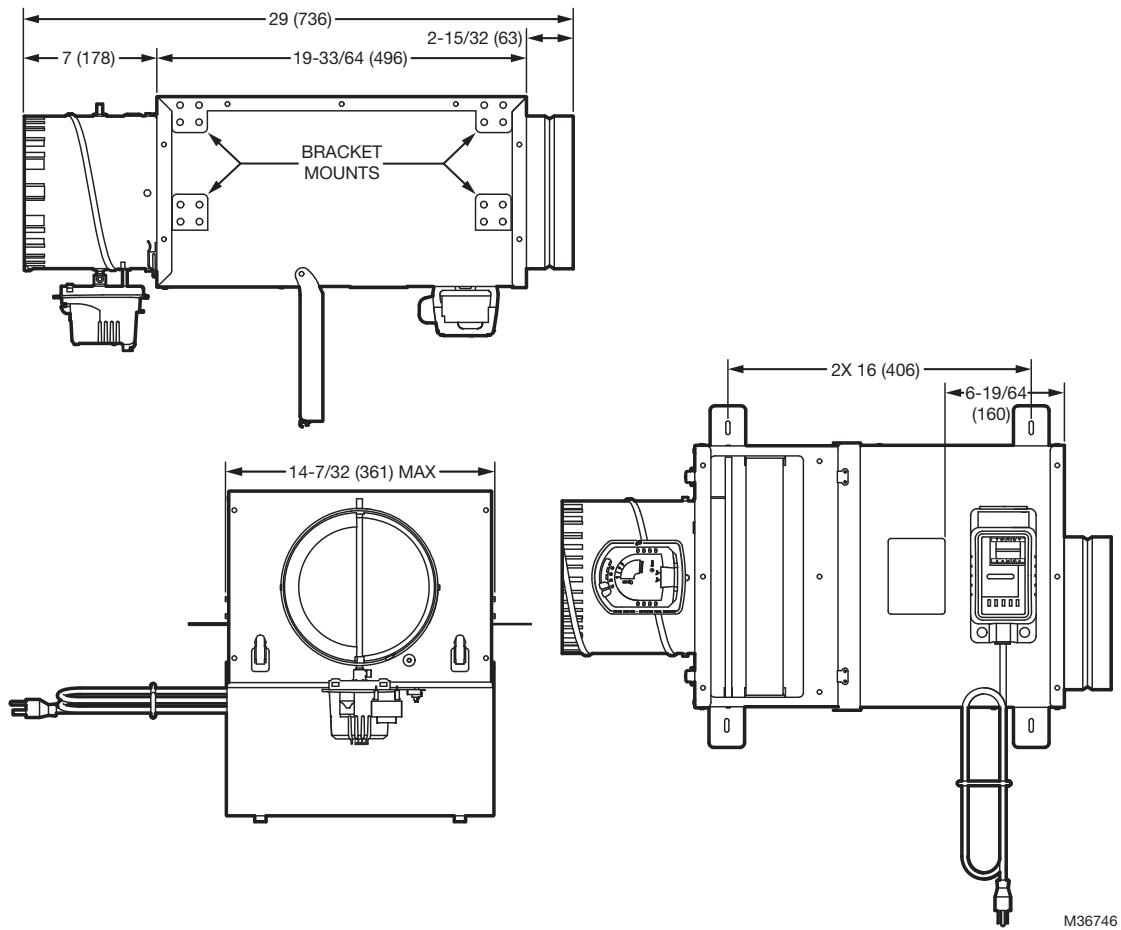


Fig. 1. Dimensions in inches (mm).

Home and Building Technologies

In the U.S.:
 Honeywell
 1985 Douglas Drive North
 Golden Valley, MN 55422-3992
 customer.honeywell.com

Honeywell

® U.S. Registered Trademark
 © 2017 Honeywell International Inc.
 33-00258-01 M.S. 04-17
 Printed in United States