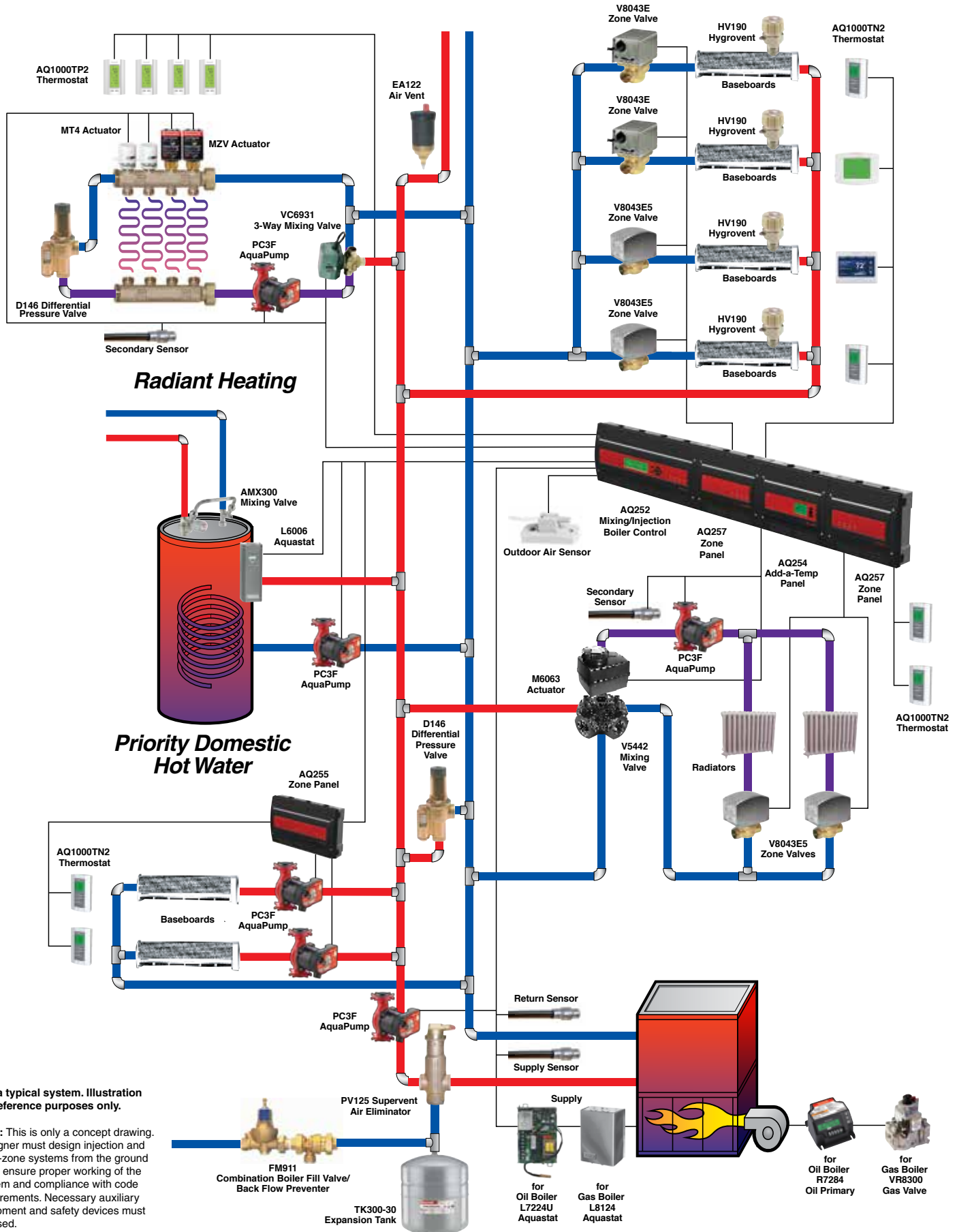




**One Source For All Your
Hydronic Product Needs.**

Hydronic Controls for Multi-Zone System

Honeywell makes a wide variety of controls for traditional hydronic heating systems. This concept drawing shows various components that can be used in zoned hydronic systems.



Not a typical system. Illustration for reference purposes only.

Note: This is only a concept drawing. Designer must design injection and multi-zone systems from the ground up to ensure proper working of the system and compliance with code requirements. Necessary auxiliary equipment and safety devices must be used.

AQ2000 Series Electronic Controls and Pumps for Hydronic Heating Systems

Simple. Powerful. Affordable.



AQ250 Relay Control Panels

Loaded with standard features.

- Line- or low-voltage output for pumps or zone valve control
- 1-stage zoning
- Expandable up to 16 zones
- Zone synchronization
- Boiler short cycling protection
- Boiler post-purge
- Domestic hot water priority (override) protection
- Freeze protection
- Pump/valve exercise
- Automated test features for quick start-up and troubleshooting



AQ251 and AQ252 Reset Control Panels

All the great features of AQ250 controls, plus:

- Customizable control settings and schedules allow for greater level of control and comfort
- Outdoor temperature compensation (reset)
- Allows outdoor temperature to be displayed on all thermostats
- Central set-back schedules available
- Automated purge feature for quick start-up and simple troubleshooting
- AQ252 has ability to control two water temperatures



AQ255 and AQ257 Zoning Expansion Panels

For use with zone valves (with and without end switches) or Pumps.

- Zone expansion up to 16 zones
- Zone synchronization
- Auto test function tests zones at system start-up
- Status LCDs for easy diagnostics



AQ1000 Communication Thermostats

- Programmable or Non-Programmable
- 2-wire "polarity insensitive" power-stealing communicating thermostats
- Easy-to-read backlit display
- Outdoor temperature is shown on display (with outdoor reset models only)
- Can display Fahrenheit or Celsius
- Settings memory retained on power loss



AquaPUMP Hydronic Circulating Pump

- Twist-To-Fit Universal Flange rotates 90° to fit every application
- Threaded conduit connection
- Stainless steel plate and can
- Ceramic bearings and shaft
- Impeller engineered for a quieter, more efficient operation
- 5-year warranty
- Check valve available for all pumps separately

Note: AQ1000TN2 thermostats must be used with the AQ2000 Series controls and zoning panels to provide all the superior features stated above.

Switching Relays and Zone Valves

Trusted, reliable zoning options.



Switching Relays

These single-zone switching relays provide intermediate switching.

R8845/RA889

- Provide switching of line- and low-voltage devices from a line- or low-voltage controller in oil-fired or gas-fired hydronic heating systems
- One model replaces several competitive models
- Replacement relay common to other Honeywell hydronic replacement controls
- Two troubleshooting LEDs and push-to-test button

RA832/RA89/R845

- Provide switching of line-voltage devices from a low-voltage controller in oil-fired or gas-fired hydronic heating systems
- 120 V, 50/60 Hz transformer
- 2-wire, 24 V control circuit
- DPST switching



5000 Series Zone Valve

The ultimate in zone valve technology and reliability.

- “Quick Fit” push-button actuator removal feature offers robust metal-to-metal connection
- Patented ball seal design provides a new sealing surface each time the valve operates
- Silent operation reduces customer complaints and callbacks
- Easily serviceable — no need to remove valve from pipe to change or replace inside parts
- Handles up to 300 psi static pressure
- Upgrade opportunity actuator is backward-compatible with installed base of 1000 series zone valve
- 3-year warranty



1000 Series Zone Valve

The reliable 1000 Series is designed for service and convenience — fits on virtually every system.

- Patented ball seal design provides a new sealing surface each time the valve operates
- Valve seal and ball plug are easily accessible — no cutting or refitting required
- Built on Honeywell tradition for compatibility with a full range of thermostats
- Handles up to 125 psi static pressure
- 1-year warranty

Air Elimination

Effectively eliminates air, noise and callbacks.



PV Series SuperVent®

Effectively eliminates air and noise from hydronic heating systems.

- Debris baffle to control dirt fouling and prevent failure
- NPT and sweat connections 3/4", 1", 1-1/4", 1-1/2", 2" for application flexibility
- No-clog vent ends leaking and callbacks
- Adjustable vent top collar ring allows easier installation and application flexibility



FV Series GoldTop™

Universal air vent for residential and commercial heating and cooling systems.

- Low-cost vent that performs at both low and high pressures
- Used in heating systems to vent air that has accumulated due to the heating of cold water



FV Series MaxiVent™

Air vent for heating and cooling systems.

- Low-cost vent that performs at both low and high pressures
- Features a low-profile, fit-anywhere solid brass body and cover, and a high-temperature polypropylene float



EA122 Automatic Air Vent

Provides extra protection to keep heating systems operating efficiently.

- Removable float/valve assembly for easy servicing
- Internal parts made of corrosion-resistant and chemical-resistant materials
- Purges air trapped in closed hot or cold water systems to maintain quiet and efficient operation
- Built-in vacuum breaker and brass shutoff valve for servicing without system shutdown

Expansion Tanks And Thermostatic Radiator Valves

Convenient, quality solutions.



TK300 Series Expansion Tanks

Accommodate the expansion of water in a closed hot water heating or solar system.

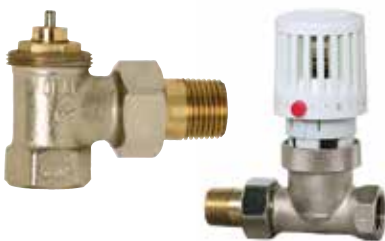
- The diaphragm separates the air cushion from water and prevents absorption of air cushion by the water, thus avoiding water logging
- Compact design
- Precharged tank has a maximum operating temperature up to 240° F and a maximum operating pressure up to 100 psi



Tank Kits

Every hydronic application. One easy box.

- Each kit includes an Expansion Tank, Boiler Fill Valve/Backflow Preventer and SuperVent® Air Eliminator or Air Purger/Vent
- Saves time, labor, parts and money
- Available in standard and supreme models to fit every application requirement



V110 Series High-Capacity Thermostatic Radiator Valve And T104 Radiator Actuator

Continuously monitored control.

- Provides precise and automatic control of room temperature in two-pipe systems
- Continually monitors and adjusts room temperature for consistent comfort
- Valve seat disc is made of resilient material (EPDM), ensuring tight shutoff on steam or hot water systems
- Actuator provides comfort and energy savings for individual room control



V2000 Series Standard Capacity Thermostatic Radiator Valve And T100 Radiator Actuator

Comfort, energy savings and long-term performance.

- Continually monitors and adjusts room temperature for consistent comfort
- Valve seat disc is made of resilient material (EPDM), ensuring tight shutoff on steam or hot water systems
- Actuator provides comfort and energy savings for individual room control
- Radiator valves — one-pipe steam TRV (V2043HSL10) includes 1/8" NPT connection, angle pattern valve body and steam vent

Additional Hydronic Components

Reliable Honeywell products increase customer satisfaction and reduce callbacks.



AM-1 Series Thermostatic Mixing Valve For Radiant Heating

A mixing valve specifically designed for radiant heating systems. *R-model for heating applications only.*

- Accurately adjusts, maintains and limits the hot water temperature to a desired setting selected by the user
- Precisely measures hot water to maintain consistent temperatures throughout the radiant system



Boiler Fill Valve/Backflow Preventer

Convenient all-in-one assembly controls incoming pressure and allows automatic control of boiler feed water with backflow prevention.

FM911 (Contains FM450 and BP900 available separately)

- Factory set at 12 psi with an adjustment range of 4 to 60 psi
- Maximum operating temperature up to 212° F and a maximum operating pressure up to 150 psi
- Fast-fill feature
- Built-in check valve and stainless steel strainer
- 1/2" sweat and threaded NPT



MZV Series

Fast-acting PowerTrack zone valves.

- Quick-opening motorized actuator mounts directly onto Honeywell brass-valved manifolds
- Provides individual loop flow control on multiple-zoned manifold
- 30 mm collar
- PowerTrack actuator is available with or without end switch
- Normally closed; power open (10-15 sec.), spring close (5 sec.)
- Must be installed in the upright (vertical) position



MT4 Series

Smart-T thermal electric actuator.

- Thermal electric actuator mounts directly onto Honeywell brass-valved manifolds
- Provides individual loop flow control on multiple-zoned manifolds
- 30 mm collar
- Normally closed with end switch
- Open/close cycle time is 4 to 5 minutes
- Quiet operation

Learn More

For complete details on increasing profits with Honeywell Hydronic Heating Solutions, contact your Honeywell distributor or visit customer.honeywell.com.

1-800-328-5111

info@honeywell.com

customer.honeywell.com

Automation and Control Solutions

In the U.S.:

Honeywell

1985 Douglas Drive North

Golden Valley, MN 55422-3992

In Canada:

Honeywell Limited

35 Dynamic Drive

Toronto, Ontario M1V 4Z9

www.honeywell.com

Follow us on Twitter:
@honeywellcpro



YouTube:
@honeywellcpro



Honeywell